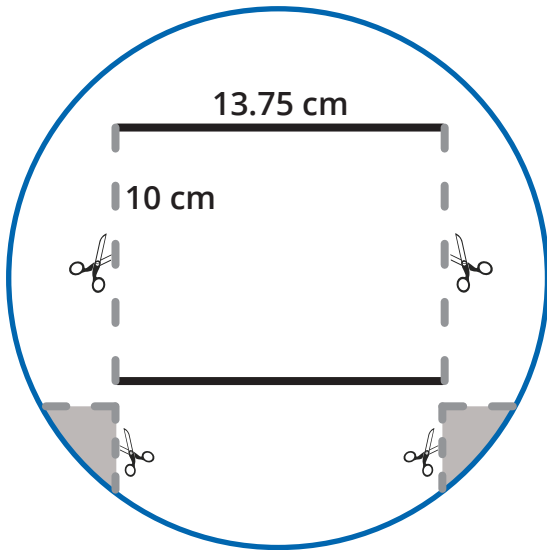


# Instructions



## FOR THE TEACHER:

1. Make sure 241a and 241b are printed front and back onto one sheet.
2. Prepare a large-sized paper plate for each child. Look at the diagram to see how to cut it. Draw a rectangle of 10 x 13.75 cm in the center of the plate. Then cut two 10 cm openings as indicated in the diagram.
3. Cut two notches in the plate, as seen in the diagram, leaving at least 1/2 cm between these and the 10 cm cut. Then fold the tab between the two notches back to stand it up.

## FOR THE STUDENTS:

1. Cut out the two strips of paper along the dashed lines.
2. Glue the two strips together to make one long strip.
3. Turn the strip over. Make drawings of places where you can tell others the good news about Jesus.
4. Receive a prepared paper plate from your teacher. Put the strip through the openings of the plate to see the drawings.
5. Start with Bible scene #1. Pull the handle gently to see the scene and tell the story.
6. Take the strip out and turn it over to see your drawings. Look at the drawings and pray for the people you want to talk to about Jesus.

